

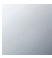



SYMETRICS Concealed two-way diverter - Chrome

IMO

36 200 985



- rotary diverter
- rosette 60 x 60 mm
- with shut-off function

	Chrome	36 200 985-00 0010
	Brushed Platinum	36 200 985-06 0010
	Brushed Durabronze (23kt Gold)	36 200 985-28 0010
	Brushed Champagne (22kt Gold)	36 200 985-46 0010
	Champagne (22kt Gold)	36 200 985-47 0010
	Brushed Dark Platinum	36 200 985-99 0010

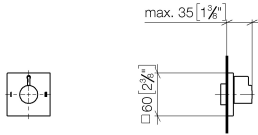
Required miscellaneous



- | | |
|-------------------------------------|---------------|
| Concealed two-way diverter - | 35 202 970-90 |
| •max. recess depth 160 mm | 0010 |
| •min. recess depth 85 mm | |

36 200 985

mm [inches]



Flow rate chart



Codes & Standards

California Energy
Commission
(CEC)



SYMETRICS Concealed two-way diverter - Chrome

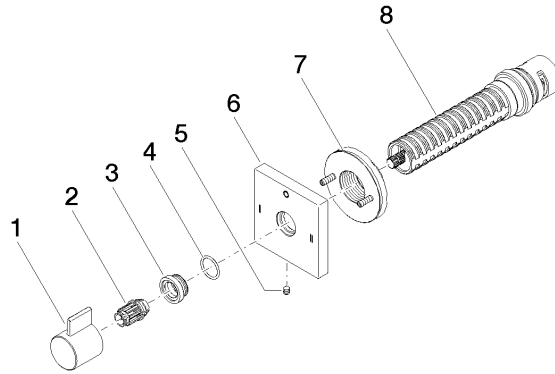
IMO

36 200 985

Certificates

IAPMO_4976 (7).

36 200 985



Spare parts list

No.	Item Number	Name	Quantity used	Delivery time
1	09 20 98 002-00	handle	1	10
2	09 12 12 005 90	fixing cap	1	2
3	09 12 12 043-00	base	1	10
4	09 14 10 017 90	seal	1	2
5	09 31 11 294 90	pin	1	2
6	09 27 98 039-00	rosette	1	60
7	90 21 02 181 00 90	disc	1	2
8	90 90 03 306 10 90	diverter	1	2